

The Dolls House Emporium
Distributed by Streets Ahead Dollshouse.

PL7 4JH, United Kingdom.

website: www.dollshouse.com

e-mail: products@dollshouse.com



STRATFORD BAKERY KIT INSTRUCTIONS

Please check the contents of your dolls' house on delivery

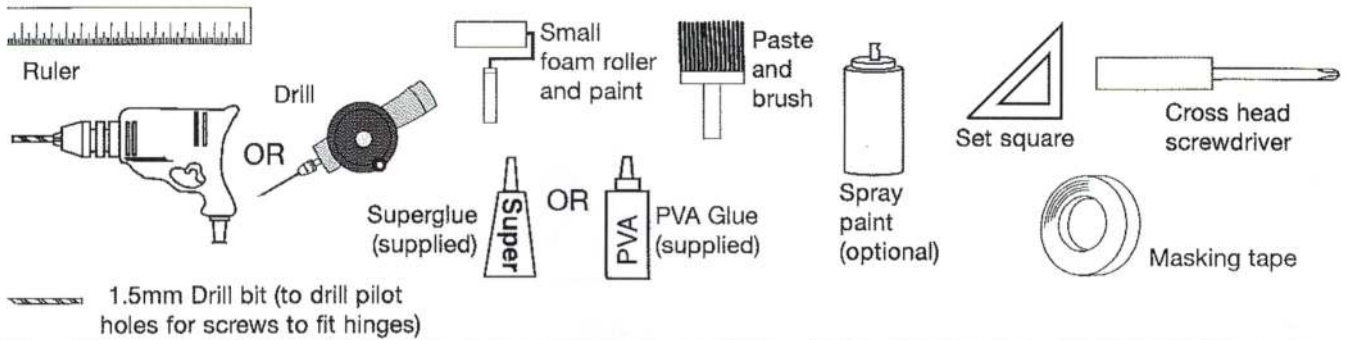
Unpack your kit and study the contents carefully, relating the parts to the contents list and drawings. In the unlikely event of there being a missing or broken part then please ring 0845 434 9202 and our staff will ensure that the problem is dealt with promptly.

We recommend that all Dolls House Emporium kits are dry built first. Please read through all the instructions carefully before commencing. If, at any stage you would like any advice or assistance, please ring us on 0845 434 9202 and we will be pleased to answer any queries.

It is not recommended to keep your dolls' house in a conservatory - due to the extremes of temperature.

version three

TOOLS AND MATERIALS REQUIRED



DRY ASSEMBLY

We recommend that all Dolls House Emporium kits are dry built first, to ensure all the parts fit together properly before gluing and so that the instructions are fully understood. Use masking tape to hold panels together whilst dry building. After unpacking your dolls' house kit, do not throw away the box. Opened up and flattened out, it can be used to cover your work surface (secured with masking tape). It will protect both your work surface and the painted surfaces of your dolls' house.



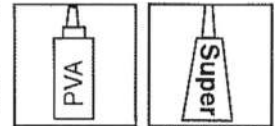
GLUING TIPS

PVA wood glue and superglue are supplied in the kit. It is advised that PVA is used to glue larger parts, such as the carcass and superglue is used for smaller painted parts and plastics. It is indicated which glue to use in the instruction steps.

PVA: Always shake PVA before use. Apply plenty of glue in a zig zag motion down the groove and ensure the glue is evenly spread. When using PVA to join painted surfaces, an ideal bond can be achieved by sanding to create a key on the two parts that are to be joined. Excess glue should be wiped away using a damp cloth.

Superglue: When gluing parts onto painted surfaces, we recommend using the superglue. If superglue doesn't stick to an absorbent surface, let the glue dry, then re-apply. The first coat will have sealed the surface and the second coat will stick. If superglue doesn't stick to a shiny surface, sand it lightly to provide a key. If you stick your fingers together with superglue, soak them in hot water and washing-up liquid, and gently prise them apart.

To add pressure during gluing stages stand heavy weights in strategic positions.

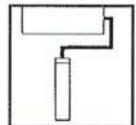


PAINTING TIPS

To get the best results, seal the MDF parts with an MDF sealer (available from DIY outlets) or 50/50 water and PVA before painting and decorating. Oil based matt finish is ideal, applied with a small foam roller for a flat and even finish. Gloss paint for details can also be used. British Standard codes are as follows:

Classical Blue Eggshell: **BS 18 E 50**
 Country Store, Queen Anne, Priory & Fairbanks Cream Eggshell: **BS 10 C 31**
 Kate's Cottage & Malibu Beach House White: **BS 08 B 15**
 Mornington Mews Lavender: **BS 05 9 33**
 Mornington Mews & Mackintosh White: **BS 10 B 15**

Paints can be obtained from:
Trimite 01895 251234
Dulux 01753 550555
Crown/Brolac 01254 704951
 or your local decorators' merchant

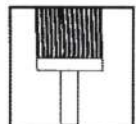


Wooden windows and doors can be coated with a spray paint for a flat and even finish, varnished or stained.

For a realistic pebble-dash finish on your exterior walls, buy a tester pot of masonry paint in the colour of your choice and add some fine sand. Two coats will produce a very pleasing effect.

WALLPAPERING TIPS

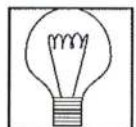
Check the walls for any lumps and bumps before papering. Allow minimal overlap when cutting wallpaper. This will make the job of applying it much easier. In fact, if skirting boards and/or coving are to be fitted, no overlap is necessary. It is often easier to decorate the house with it lying on its back. Gravity will help in the positioning of the wallpaper. A 2-inch soft-bristled brush and a 2-inch paint scraper are helpful tools for wallpapering into corners, giving a professional finish. It is easier to wallpaper the roof before attaching it to the house. For cutting difficult shapes in wallpaper, first use a piece of scrap paper to make a template. You can mark this paper by pushing it into the corners of the house and making creases in it. When you are happy with the fit, transfer the shape to your wallpaper.



To achieve an ideal bond first size walls with a 50/50 water and PVA glue mix, then when this is dry, put on the wallpaper as usual with wallpaper paste. If panels are painted then an ideal bond is achieved by lightly sanding the shiny finish (to give a little more key to the surface) before sizing and wallpapering. If, after wallpapering, you find that you have an air bubble in it, use a hair dryer to shrink back the wallpaper. If this does not work, wet the paper and use the hair dryer again. Use ordinary wallpaper paste, available from DIY stores and interior decorating suppliers.

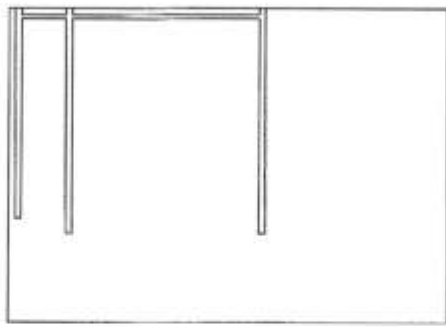
WIRING INFORMATION

There is a suggested wiring circuit layout at the end of these instructions, and full details are given with the wiring kit.



STRATFORD BAKERY KIT PARTS (not to scale)

When requesting a missing or damaged part please prefix part number with 1310



Base Panel A1



Left Hand Wall A2



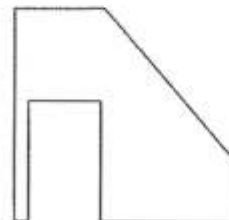
Back Panel A3



Right Hand Wall A4



First Floor A5



Stair Wall A6



Stair Back Panel A7



Stair Landing A8



Side Wall A9



Side Back Panel A10



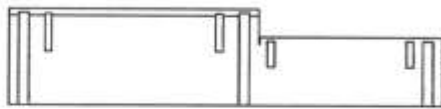
Side Floor A11



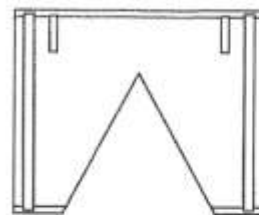
Rear Roof Panel (A) A12



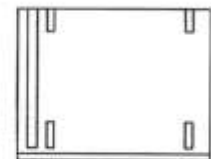
Stair Roof A13



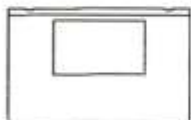
Upper Rear Roof Panel A14



Front Roof Panel A15



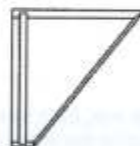
Side Roof Panel A16



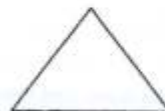
Side Front Panel A17



Gable (RH Roof) A18



Gable (LH Roof) A19



Gable Front End A20



Rear Cat Slide A21



Rear Roof Gapping Stick Panel (B) A22



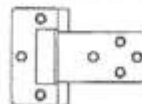
A23

Bag of Bits:

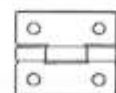
Magnet & Striking Plate B1
Screws for hinges (x2) B4
PVA Glue B5

Super Glue B6

Door Handles (x4) B7
Projecting Sign Stickers (Pair) B8

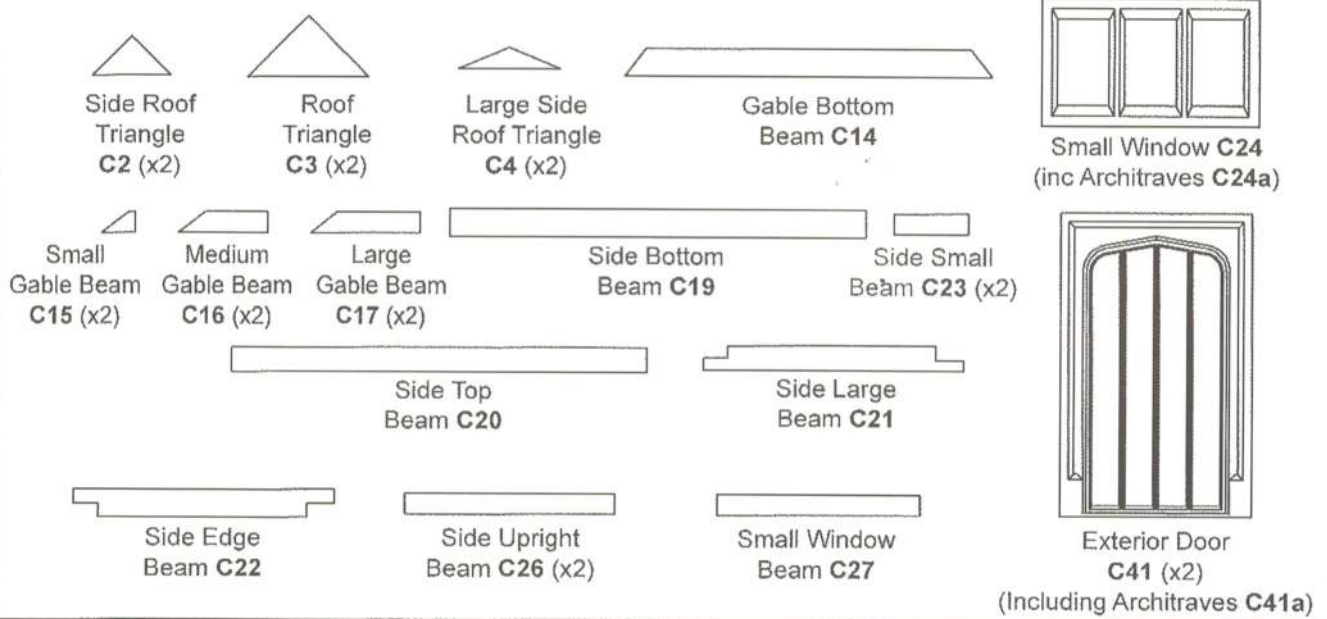


Cranked Hinge B2 (x2)

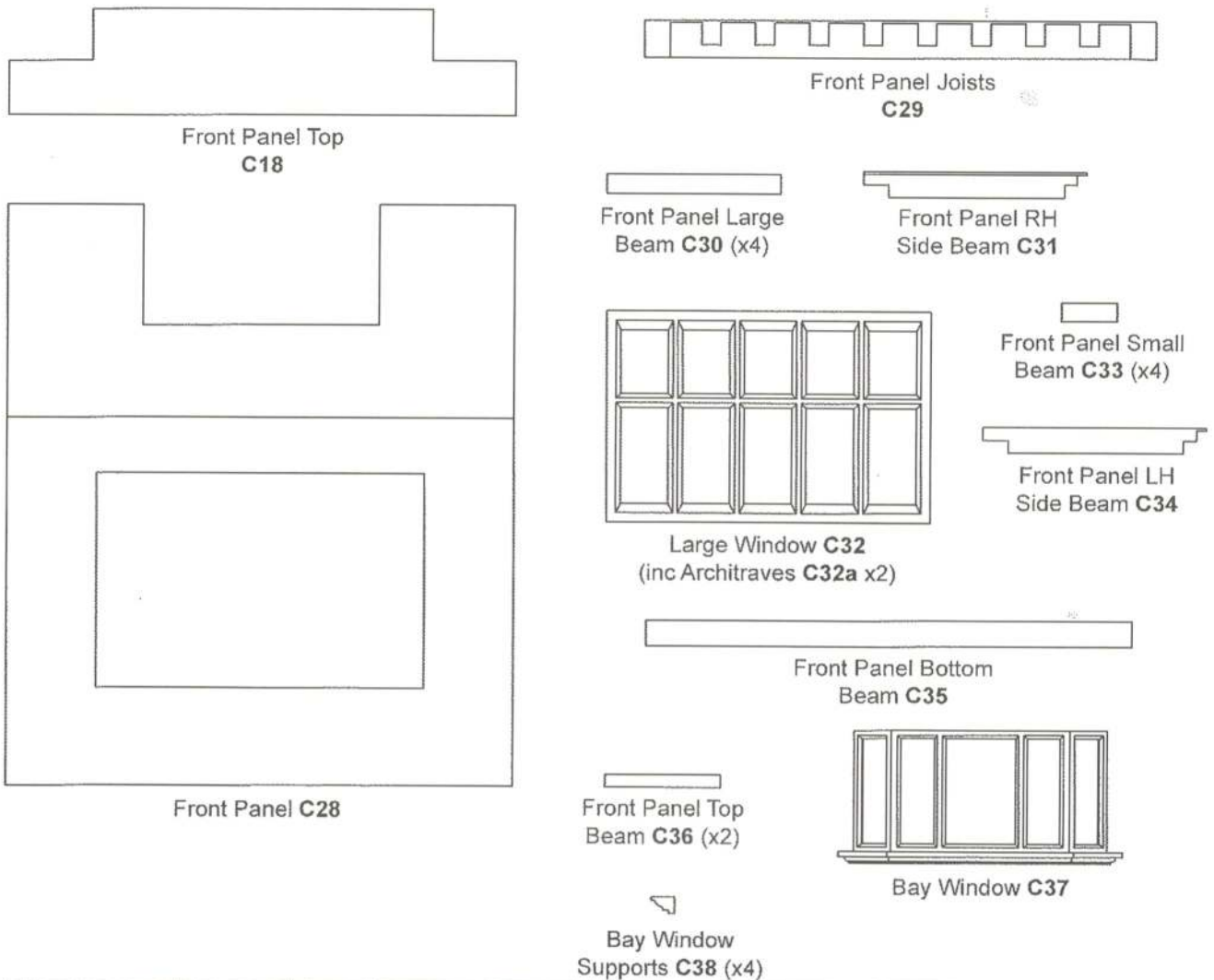


Butt Hinge B3 (x3)

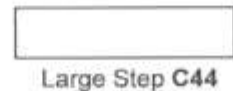
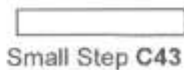
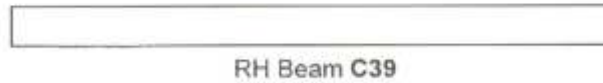
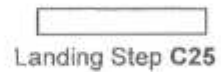
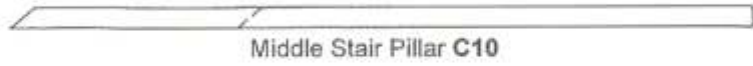
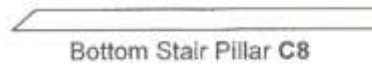
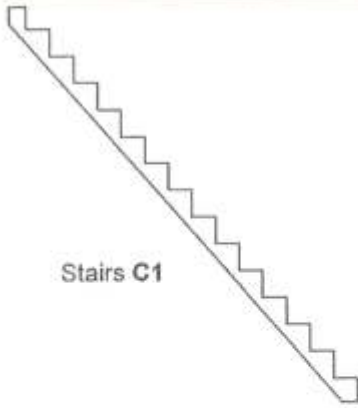
BAG 1



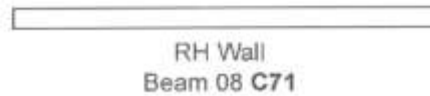
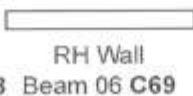
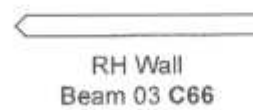
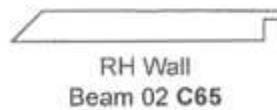
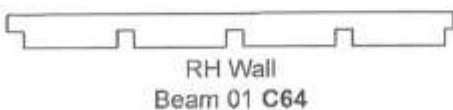
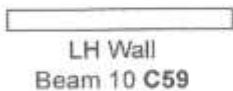
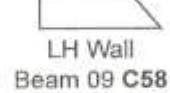
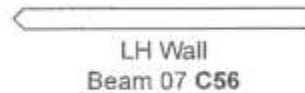
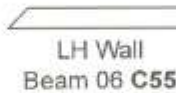
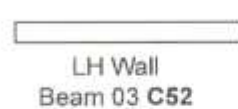
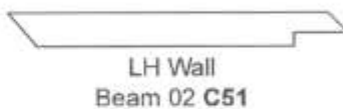
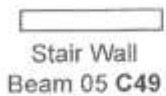
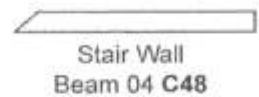
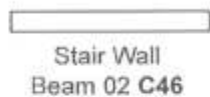
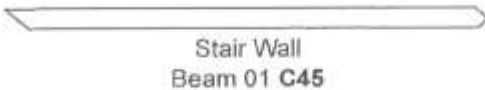
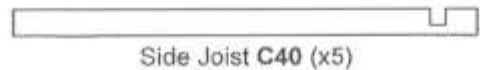
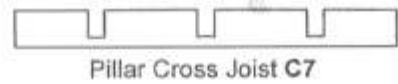
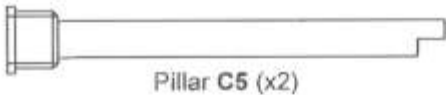
BAG 2



BAG 3



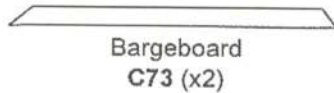
BAG 4



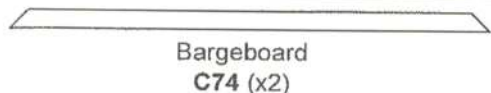
BAG 5



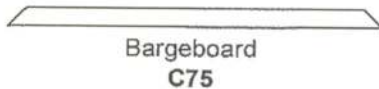
Projecting Sign
C72



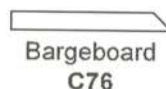
Bargeboard
C73 (x2)



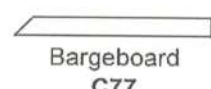
Bargeboard
C74 (x2)



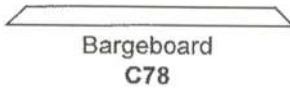
Bargeboard
C75



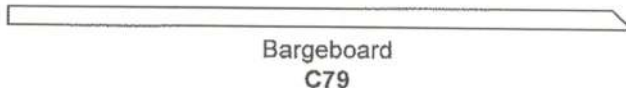
Bargeboard
C76



Bargeboard
C77



Bargeboard
C78



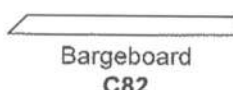
Bargeboard
C79



Bargeboard
C80



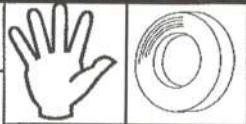
Bargeboard
C81



Bargeboard
C82

CONSTRUCTION

1



Dry build your kit now using masking tape and mark up correct orientation of stairs

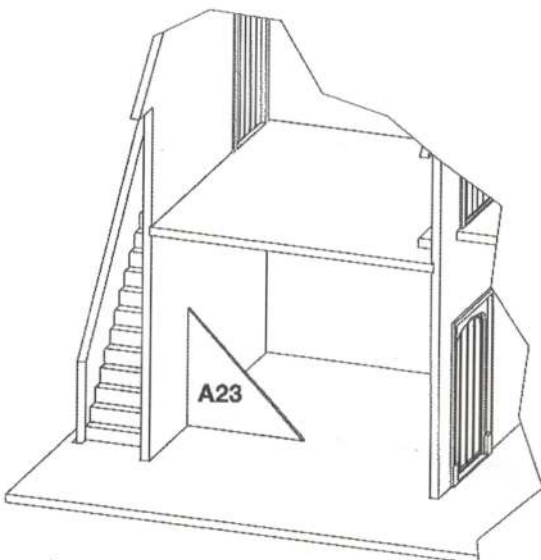
NB: Whilst you dry build the kit, it is an ideal time to mark the panels and parts (lightly with pencil) that you wish to paint or treat before construction (eg. ceiling, scotia strips, porticos, windows, doors etc).

Also we suggest that you work out the best time to decorate the various other parts in the kit. We recommend you do this during a dry build; a good idea is to create a list of what to do and when for tasks such as papering rooms before putting the floors/ceilings in, fitting doors, installing lights, carpeting floors etc. When you have done this, run through the steps during another dry build to check your order will work.

This will give you more chance to become accustomed to the kit and can save a great deal of time and mistakes in the long run.

Happy building !

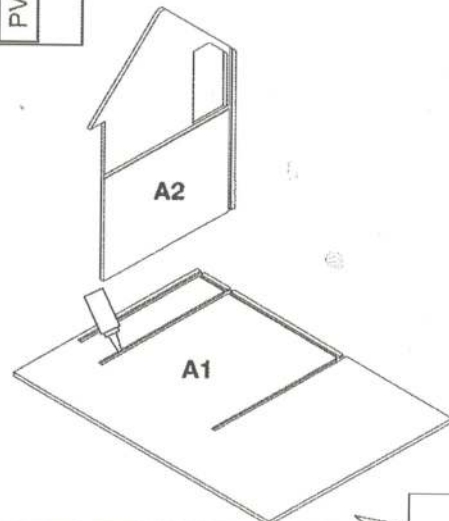
TIP: Whilst building, use A23 to check squareness of panels.



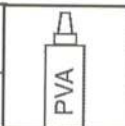
2



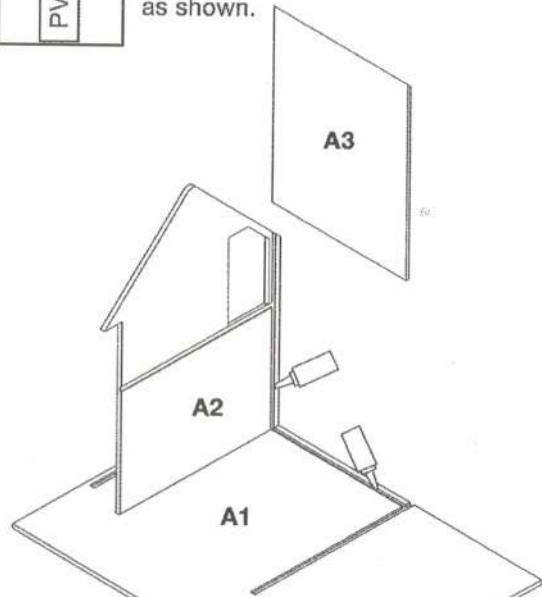
Apply glue to slot in Base Panel A1 and locate Left Hand Wall A2 as shown.




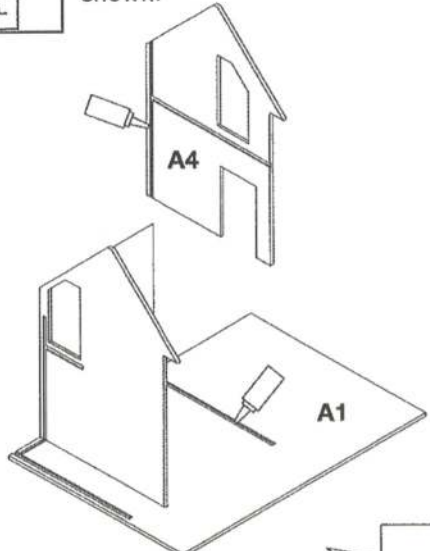
3




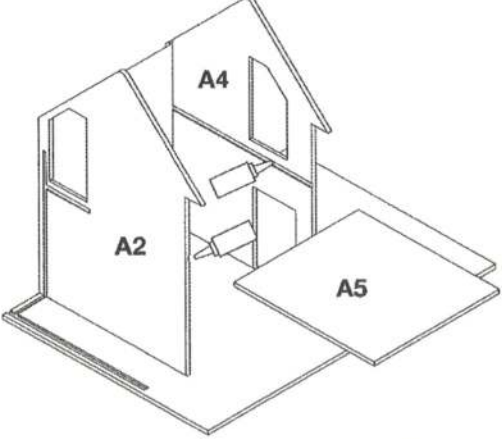
Apply glue to slot in A1 & A2 and locate Back Panel A3 as shown.




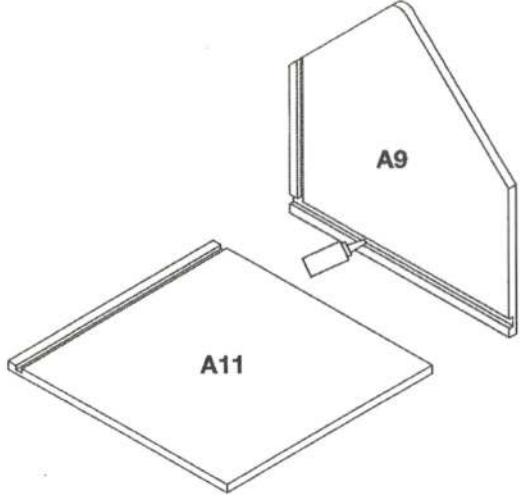
4  Apply glue to slot in Base Panel **A1** & Right Hand wall **A4** and locate as shown.




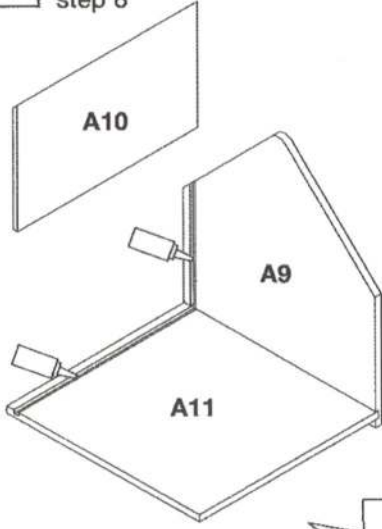
5  Apply glue to slot in **A2** & **A4** and locate First Floor **A5** as shown.




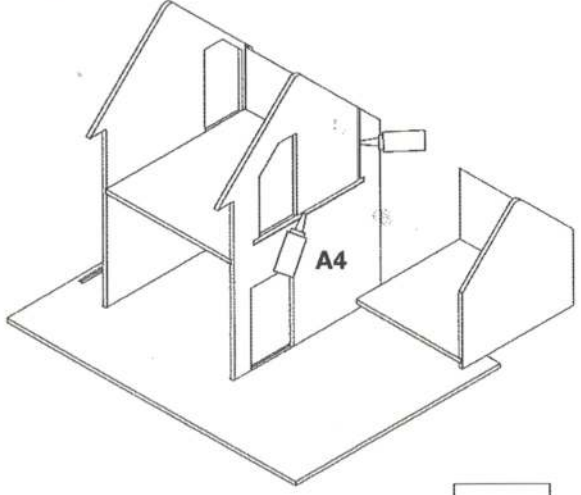
6  Apply glue to slot in Side Wall **A9** and locate Side Floor **A11** as shown.




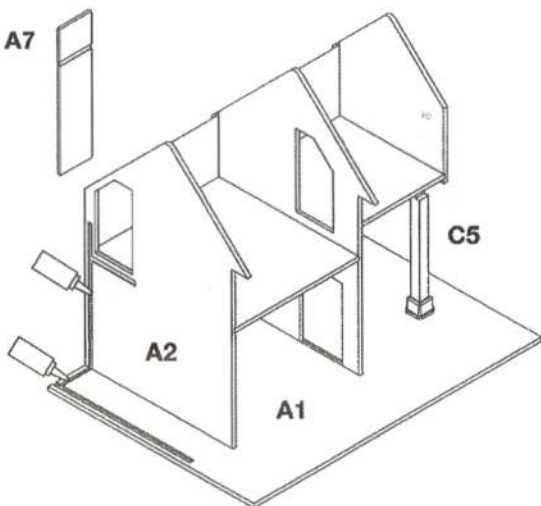
7  Apply glue to slot in **A9** & **A11** and locate Side Back Panel **A10** as shown. Allow to dry fully prior to step 8



8  Apply glue to slot in **A4** and locate Side Room Carcase as shown. **NB:** use **C5** pillars to prop in correct position.



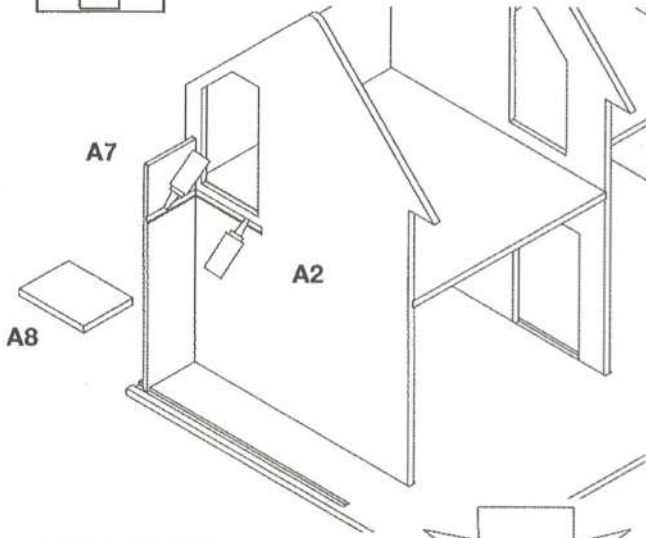
9  Apply glue to slot in **A1** & **A2** and locate Stair Back Panel **A7** as shown.



10



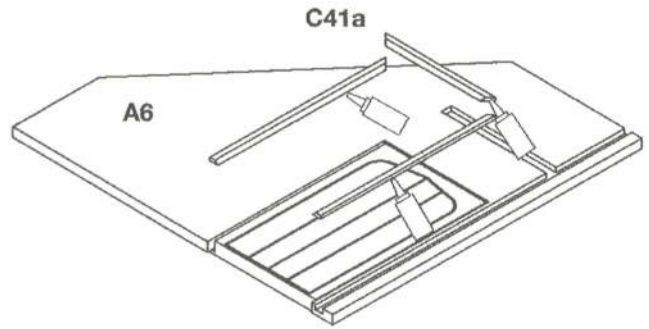
Apply glue to slot in **A2** & **A7** and locate Stair Landing **A8** as shown.



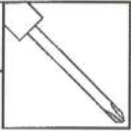
13



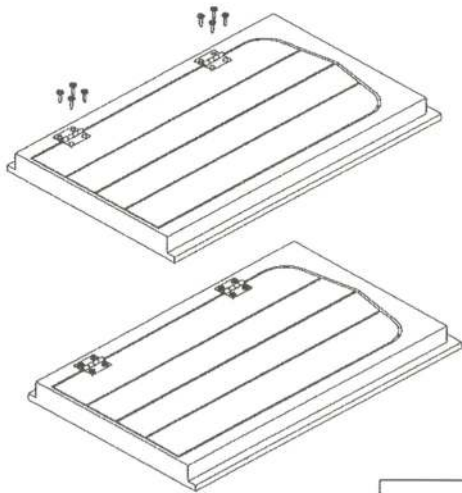
Once dry turn the **A6** panel over and apply glue to Exterior Door Architraves **C41a** and locate as shown.



11



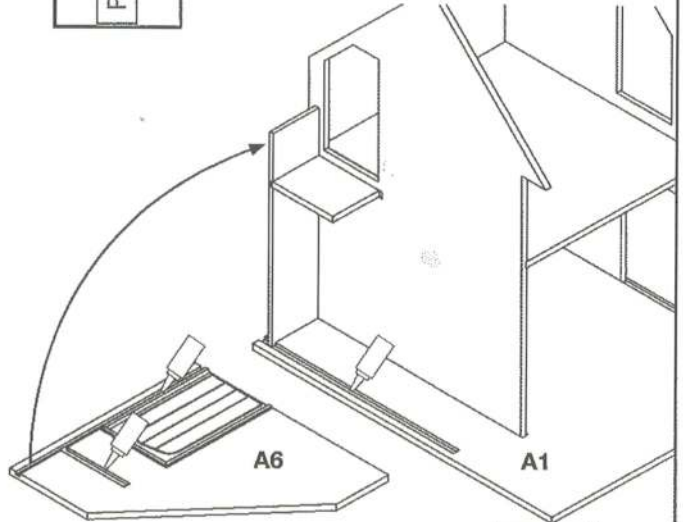
Fit Hinges to Internal Doors **C41**.



14



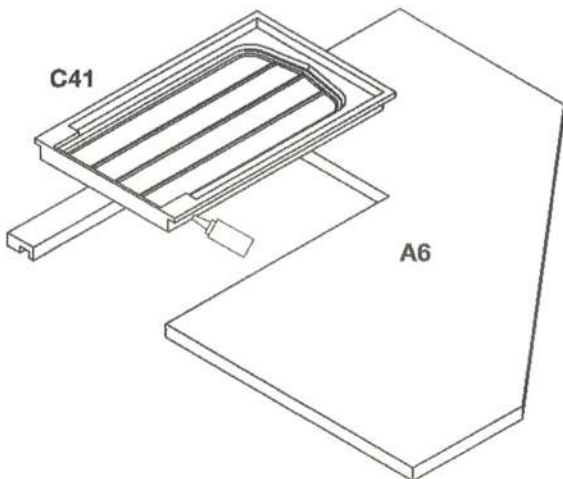
Apply glue to slot in **A1** & **A6** and rotate Stair Wall **A6** into position as shown.



12



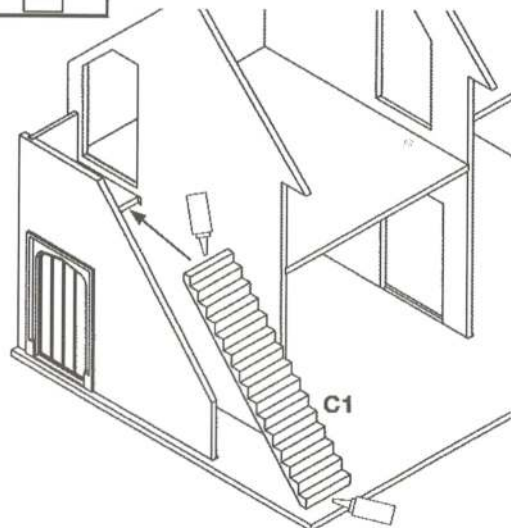
Apply glue to Exterior Door **C41** and locate as shown on **A6**.



15



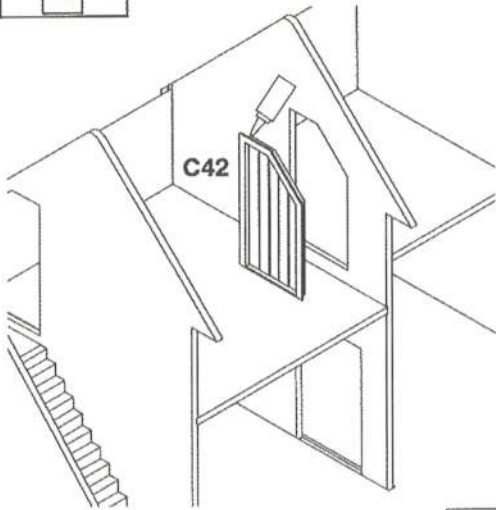
Apply glue to Stairs **C1** and locate as shown.



16



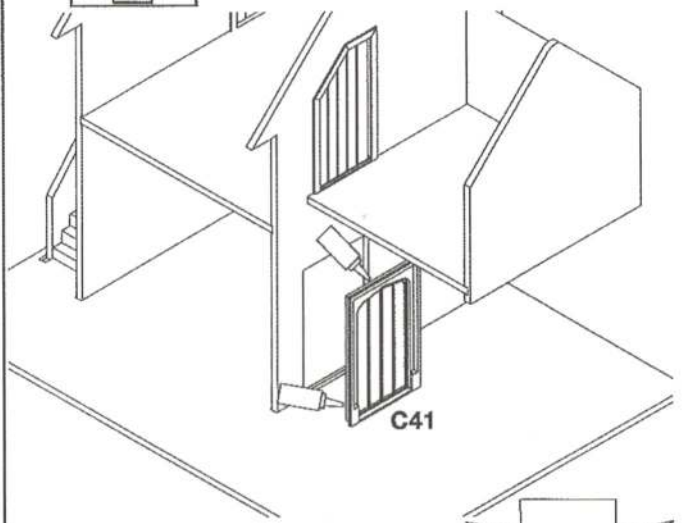
Apply glue to Angled Door **C42** and locate as shown.



19



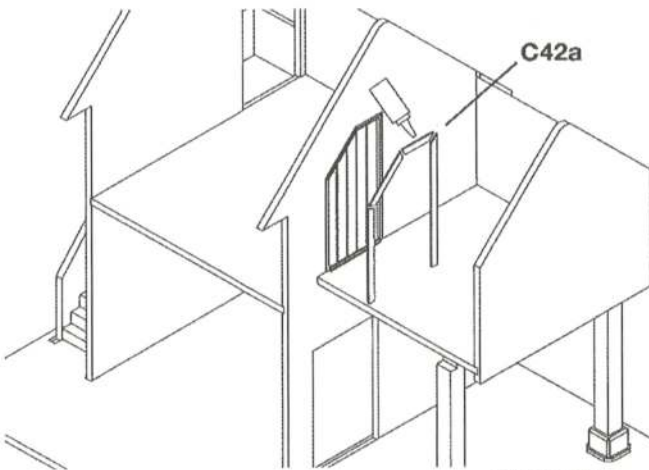
Apply glue to Exterior Door **C41** and locate as shown.



17



Apply glue to Architraves **C42a** and locate as shown. Repeat steps 15 & 16 for other door **C42**.



20



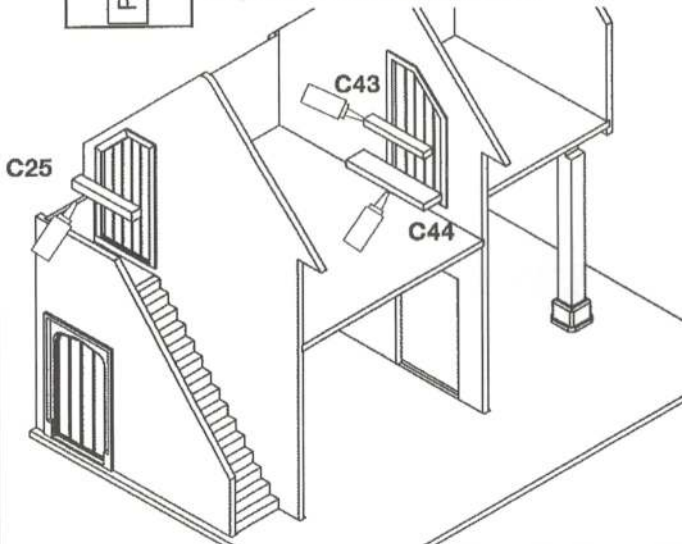
Apply glue to Exterior Door Architraves **C41a** and locate as shown.



18



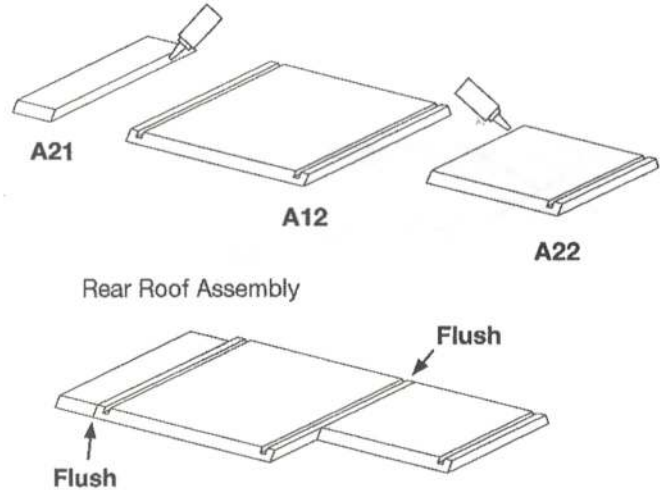
Apply glue to Landing Step **C25**, Large Step **C44** & Small Step **C43** and locate as shown.



21



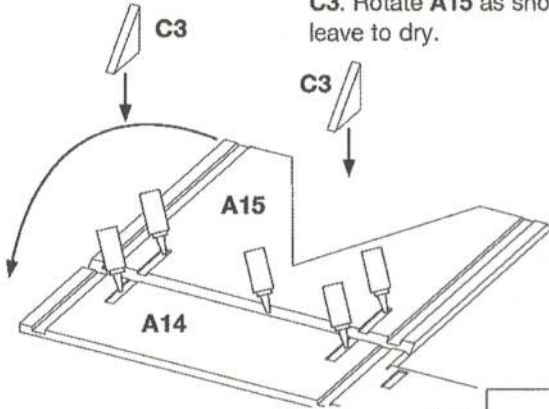
Apply glue to edge of Rear Cat Slide **A21** & Rear Roof Panel (B) **A22** and locate as shown. Allow to dry.



22



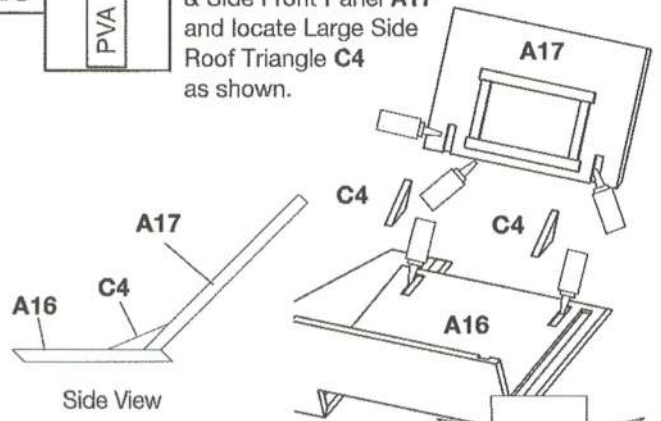
Place Upper Rear Roof Panel **A14** & Front Roof Panel **A15** onto a strip of masking tape. Apply glue to slots in **A14** & **A15** and locate Roof Triangle **C3**. Rotate **A15** as shown then leave to dry.



25



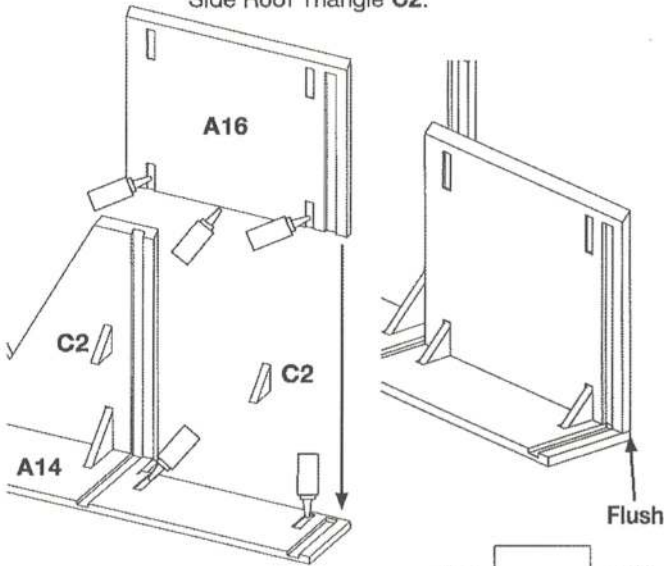
Apply glue to slots in Side Roof Panel **A16** & Side Front Panel **A17** and locate Large Side Roof Triangle **C4** as shown.



23



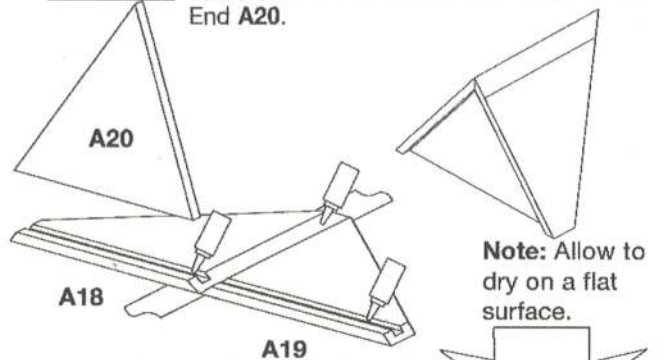
Apply glue to edge and slots in Side Roof Panel **A16** & locate as shown. Apply glue to slots in Upper Rear Roof Panel **A14** and locate Side Roof Triangle **C2**.



26



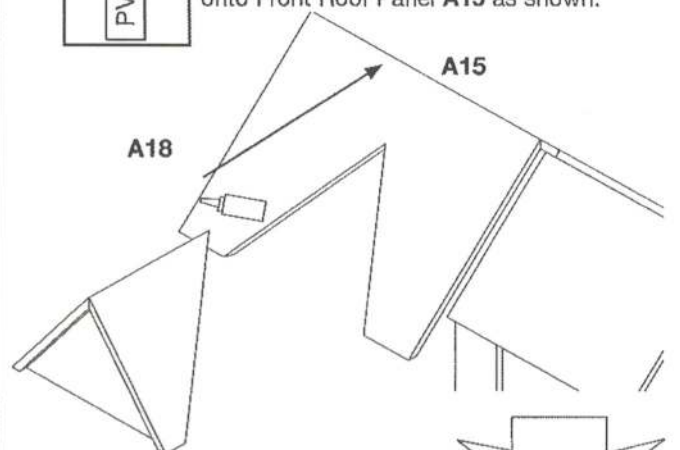
Place Right & Left Hand Roof Gable **A18** & **A19** on a strip of masking tape as shown. Apply glue to slots and locate Gable Front End **A20**.



27



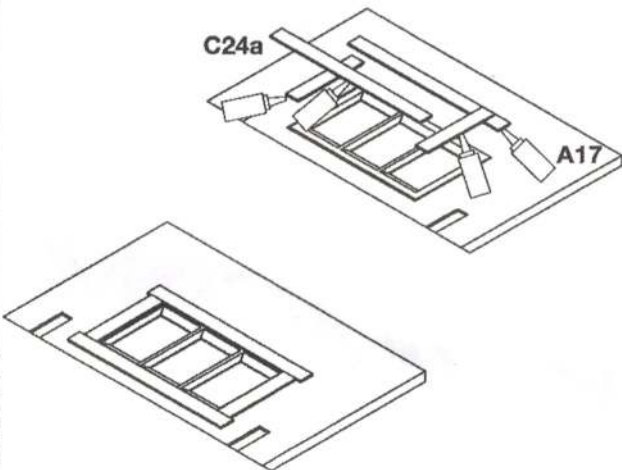
Apply glue to Gable Roof Assembly **A18** and locate onto Front Roof Panel **A15** as shown.



24



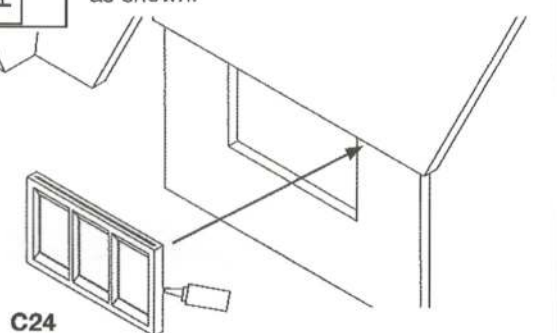
Apply glue to and locate **C24a** on the back of **A17**.




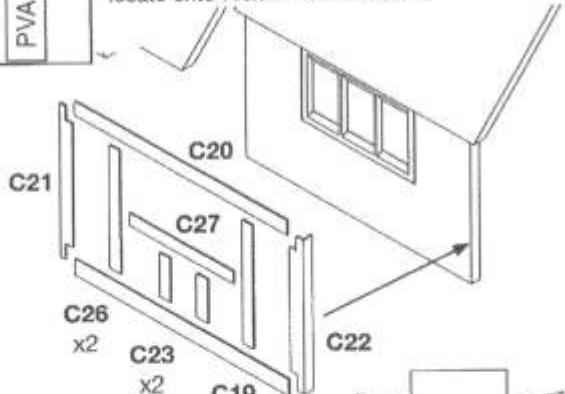
28




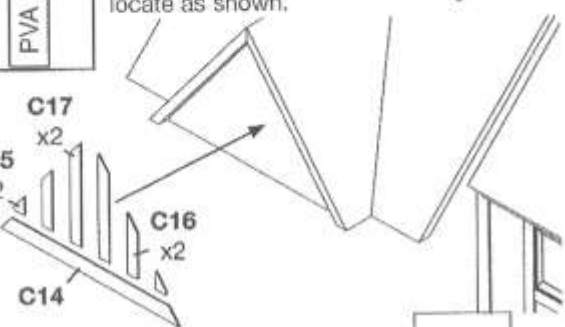
Apply glue to Small Window **C24** and locate as shown.




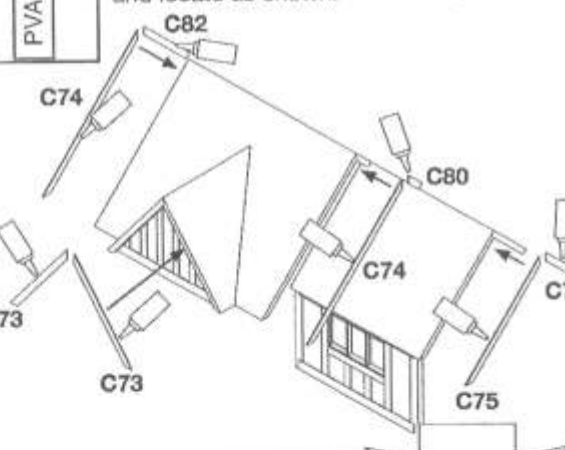
29  Apply glue to Beams and locate onto Front Panel as shown.




30  Apply glue to Gables and locate as shown.



31  Apply glue to Bargeboards and locate as shown.




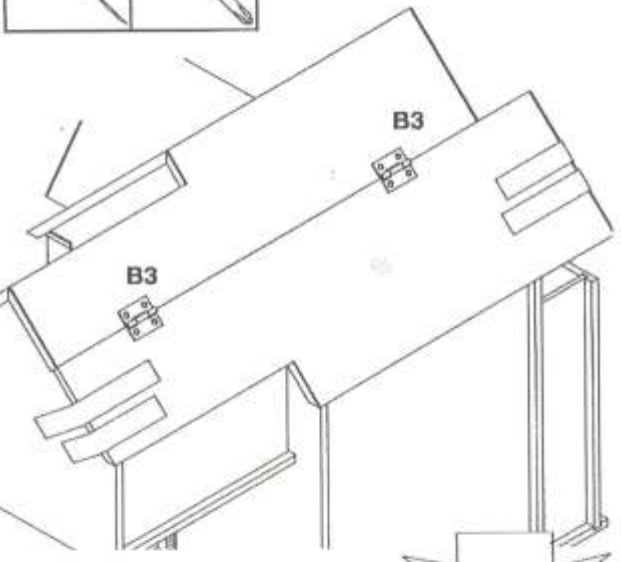
32 Locate Roof Assembly as shown.
Note: Do not glue.




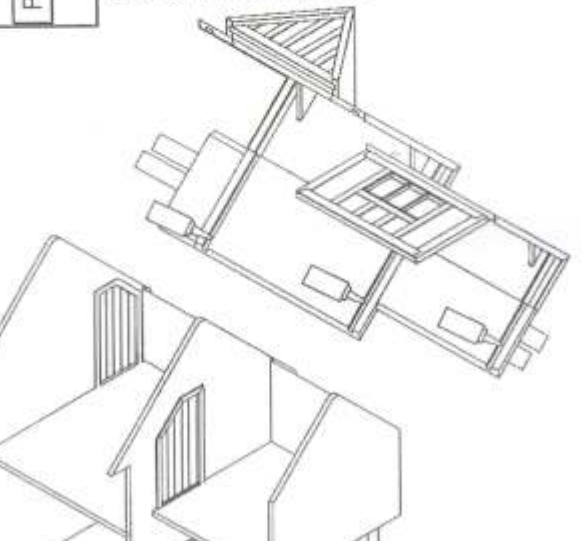
33  Using Masking Tape, locate the rear Roof Assembly as shown.



34  Locate Hinges as shown.



35  Apply glue to slots in Rear Roof Assembly only and locate onto carcass as shown.



36

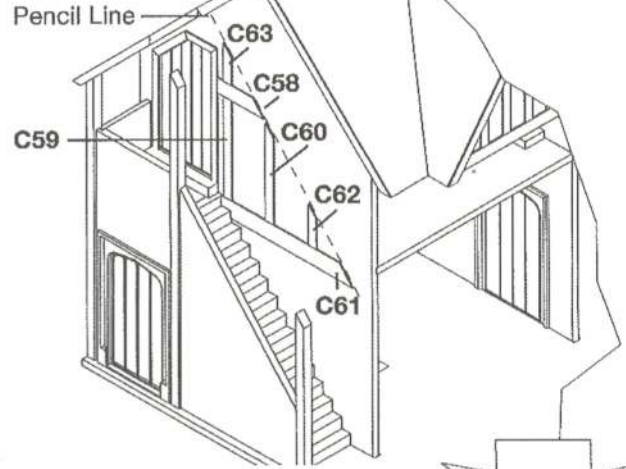
Remove Masking Tape and leave to dry.



39



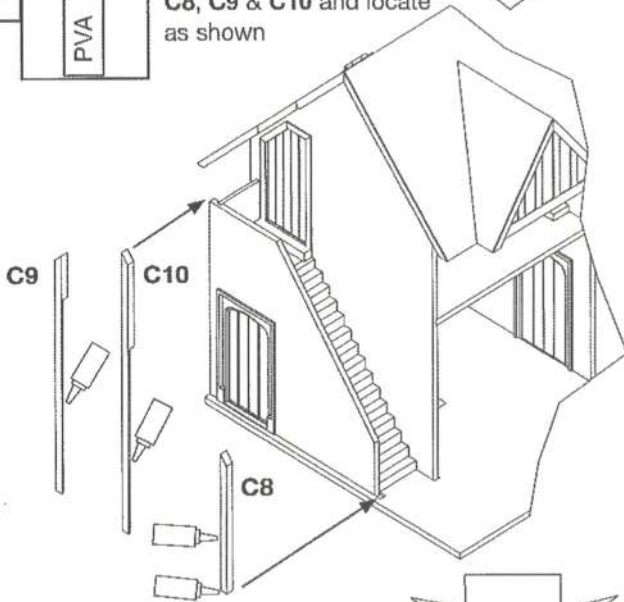
Apply glue to Left Hand Wall Beams C58, C59, C60, C61, C62, & C63 and locate as shown.



37



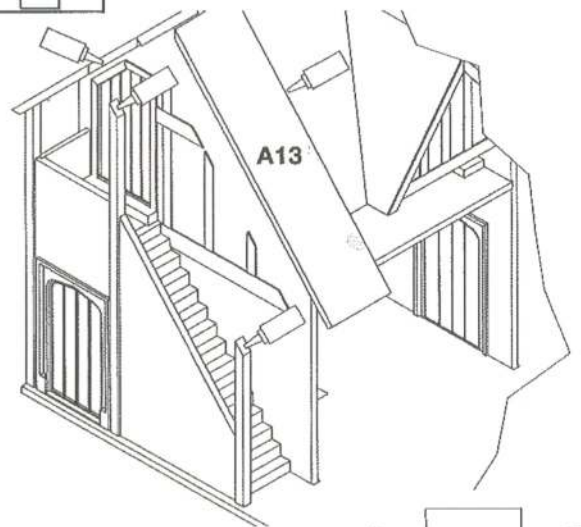
Apply glue to Stair Pillars C8, C9 & C10 and locate as shown



40

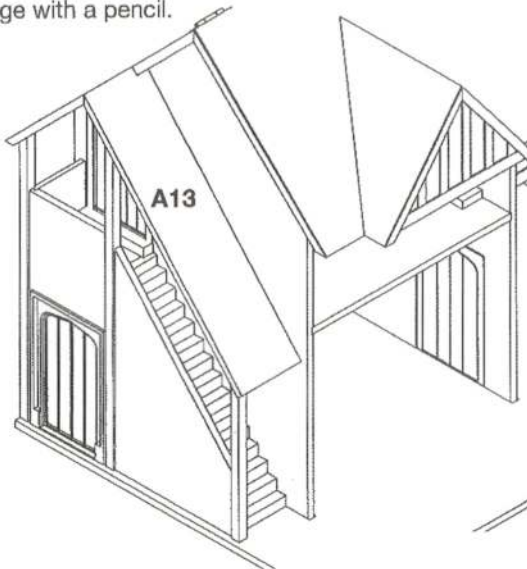


Apply glue to and locate Stair Roof A13 as shown.



38

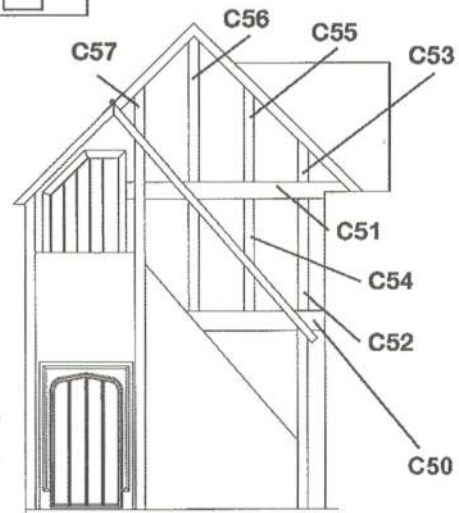
Locate Stair Roof A13 as shown. DO NOT GLUE. Mark the underside edge with a pencil.



41



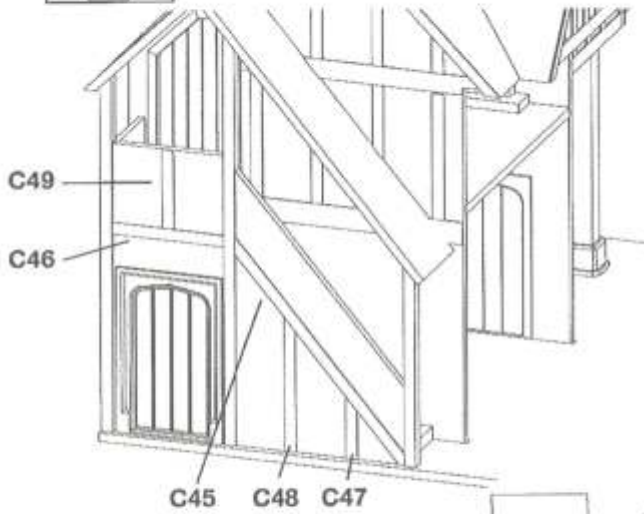
Apply glue to and locate Left Hand Wall Beams C51, C52, C53, C54, C55 & C57 as shown.



42



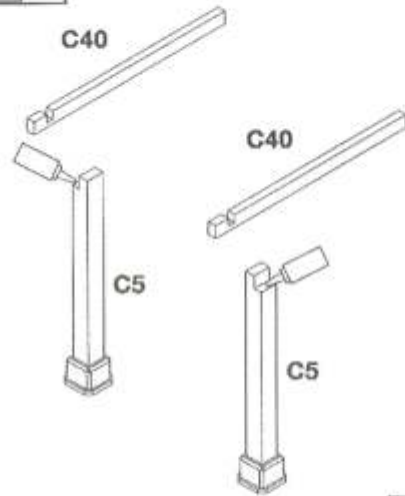
Apply glue to and locate
Stair Wall Beams **C46**, **C47**,
C48 & **C49** as shown.



45



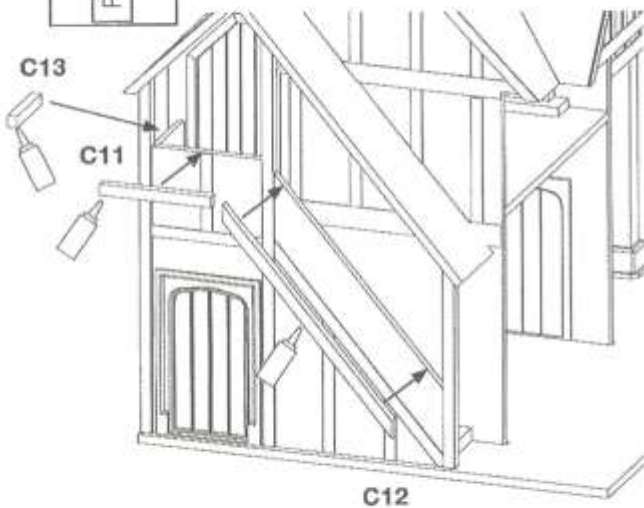
Apply glue to Pillar
C5 and locate Side Joist **C40**
as shown.



43



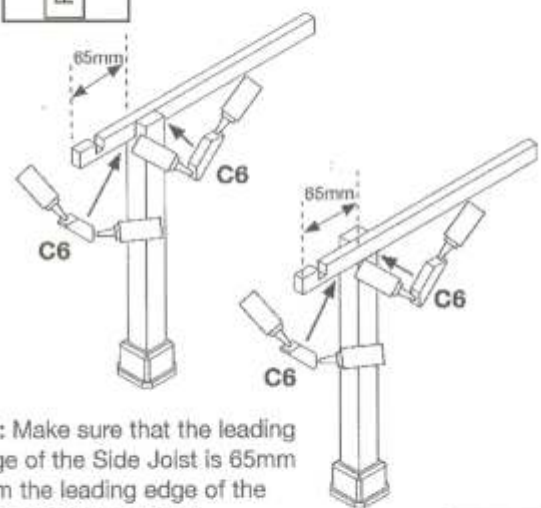
Apply glue to Stair
Handrails **C11**, **C12** & **C13**
and locate as shown.



46



Apply glue to Pillar Bracket
C6 and locate as shown.

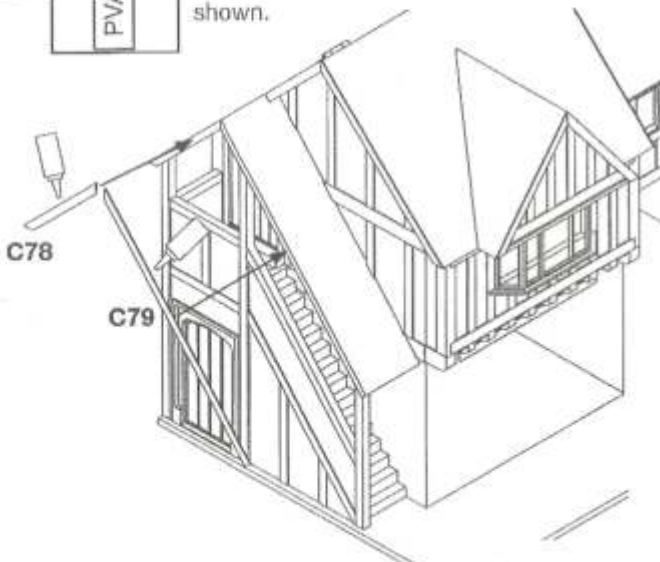


NB: Make sure that the leading
edge of the Side Joist is 65mm
from the leading edge of the
Pillar, as shown above.

44



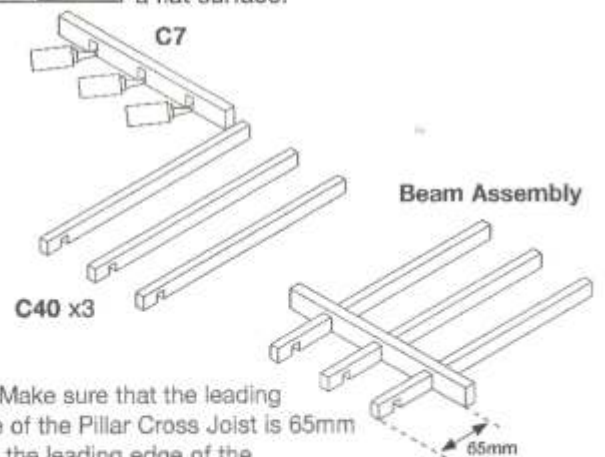
Apply glue to Bargeboard
C78 & **C79** and locate as
shown.



47



Apply glue to slots in Pillar
Cross Joist **C7**, and locate
Side Joist **C40** as shown. Leave to dry on
a flat surface.

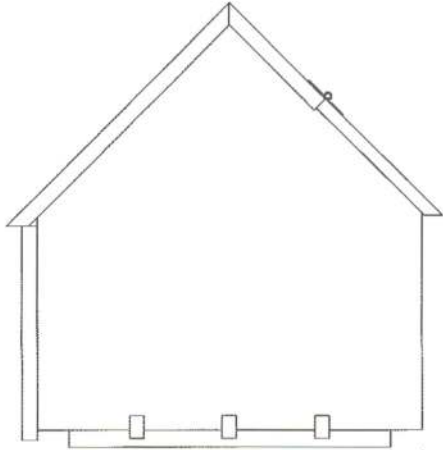
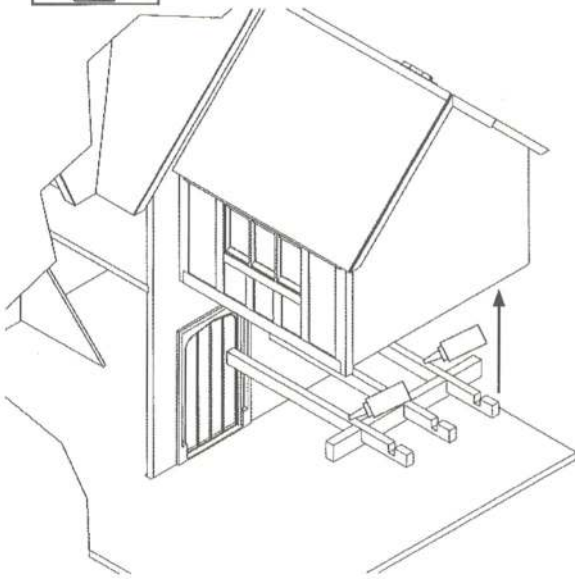


NB: Make sure that the leading
edge of the Pillar Cross Joist is 65mm
from the leading edge of the
Side Joist, as shown.

48



Apply glue to Beam Assembly and locate as shown.



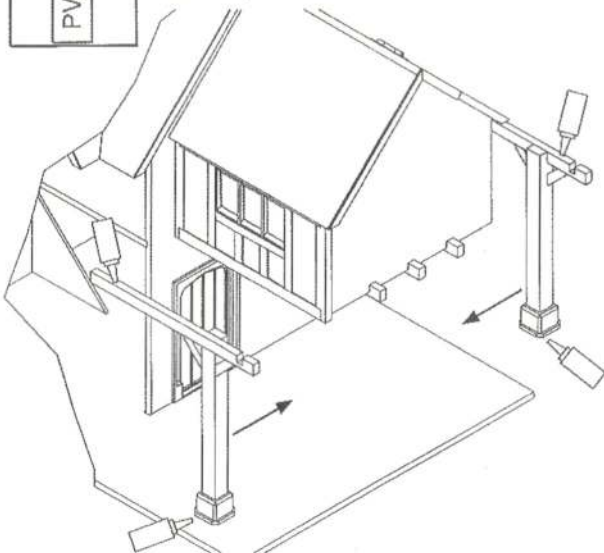
Make sure that the Beam Assembly fits centrally, as shown above.

22mm

49



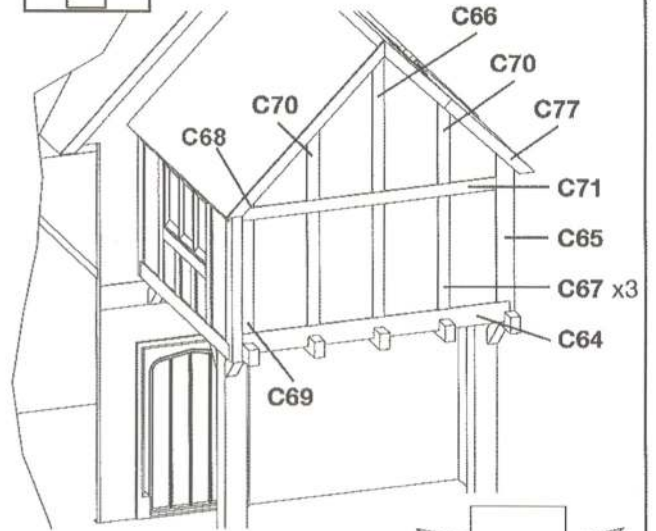
Apply glue to Pillar Assembly and locate as shown.



50



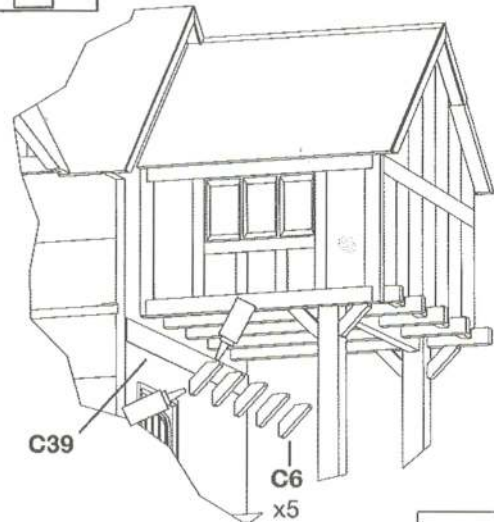
Apply glue to Right Hand Wall Beams C64, C65, C66, C67, C69, C70 & C77 and locate as shown.



51



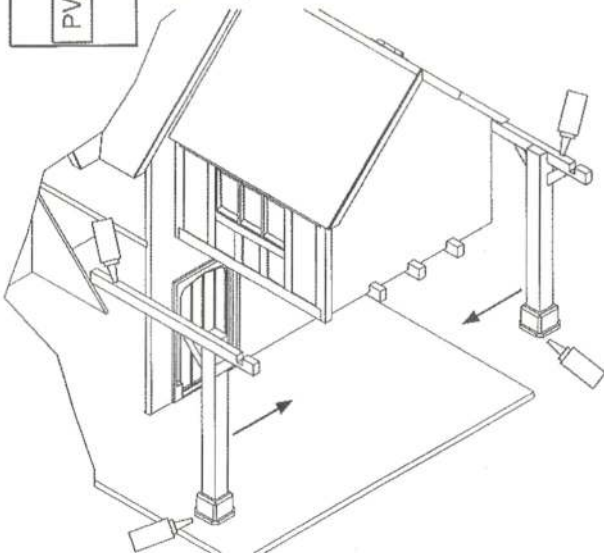
Apply glue to Right Hand Beam C39 & Pillar Bracket C6 and locate as shown.



49



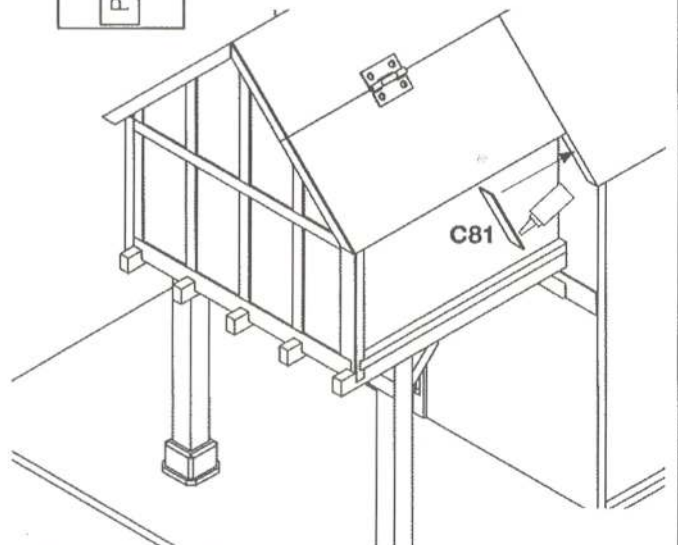
Apply glue to Pillar Assembly and locate as shown.



52



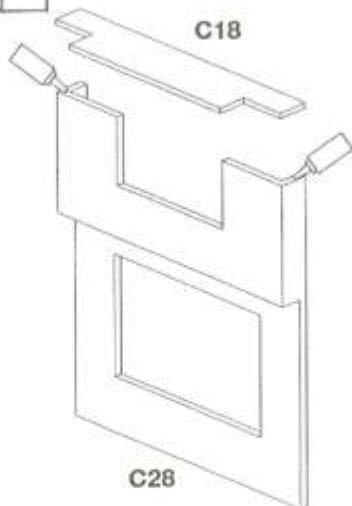
Apply glue to Bargeboard C81 and locate as shown.



53



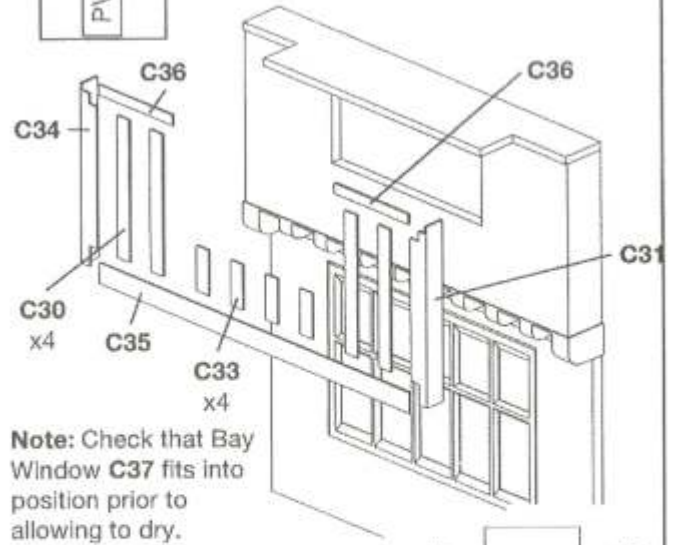
Apply glue to edge of Front Panel **C28** and locate Front Panel Top **C18** as shown



56



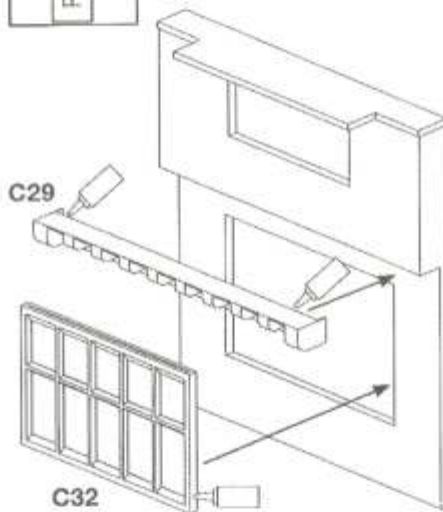
Apply glue and locate Beams **C31**, **C33**, **C34**, **C35**, **C36** & **C30** as shown.



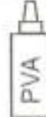
54



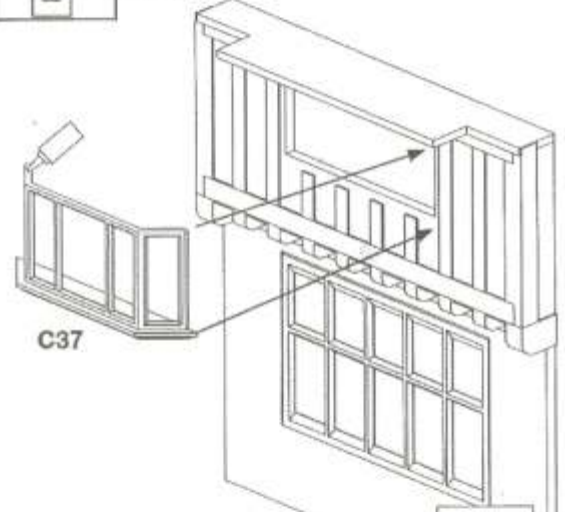
Apply glue and locate Front Panel Joists **C29**, and Large Window **C32** as shown.



57



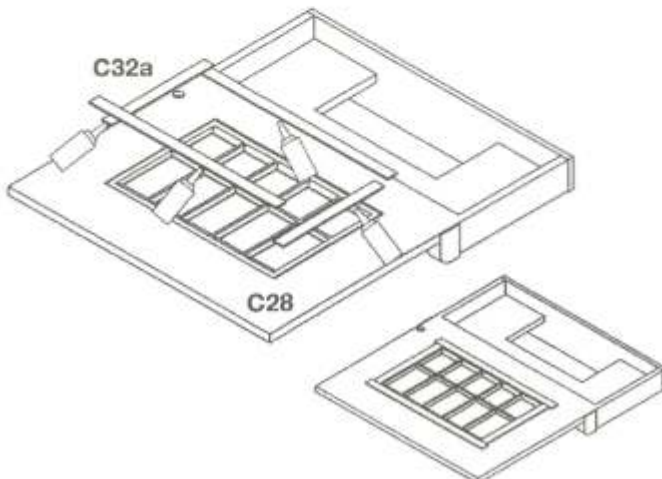
Apply glue to edge of Bay Window **C37**, and locate as shown.



55



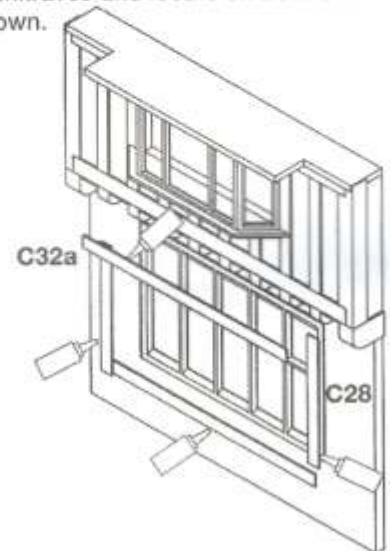
Apply glue to one set of **C32a** Large Window Architraves and locate on back of **C28** as shown.



58



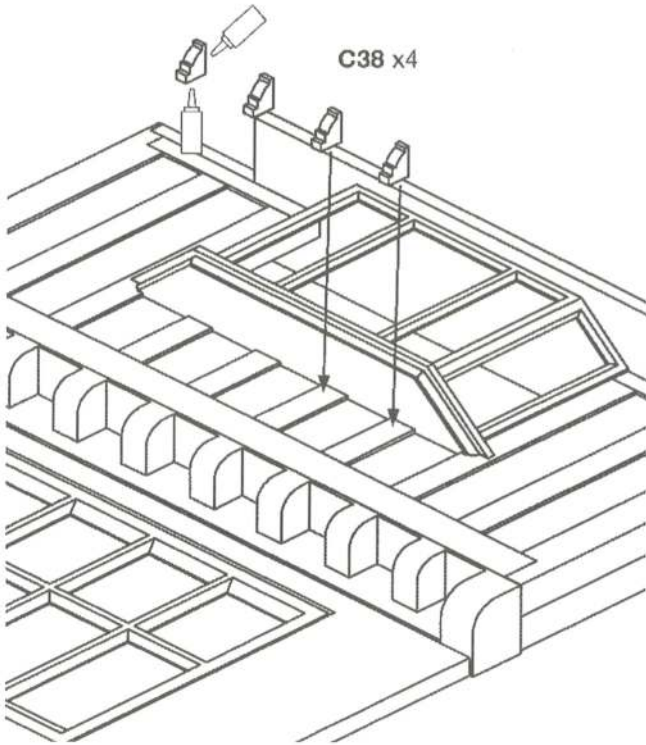
Apply glue to second set of **C32a** Large Window Architraves and locate on front of **C28** as shown.



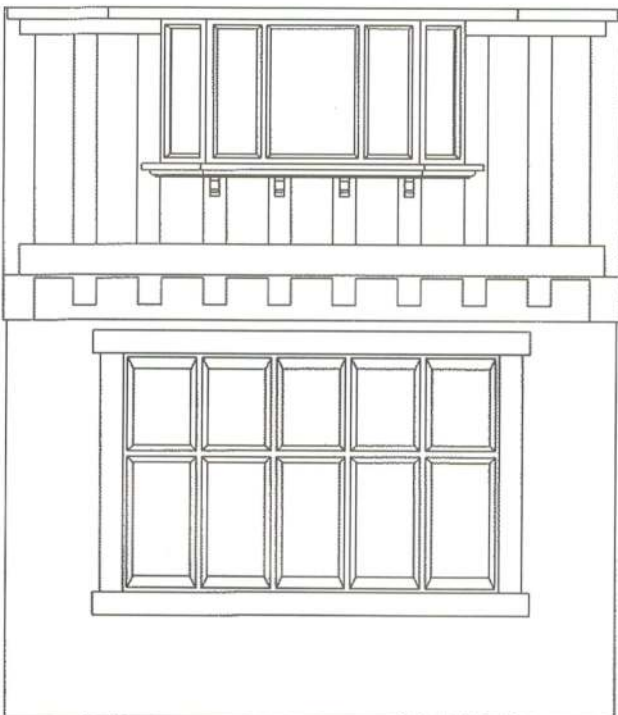
59



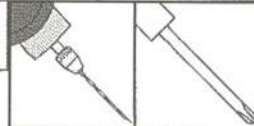
Apply glue to Bay Window Supports C38 and locate as shown.



Front Panel is now complete.
The diagram below shows the parts in the correct positions.



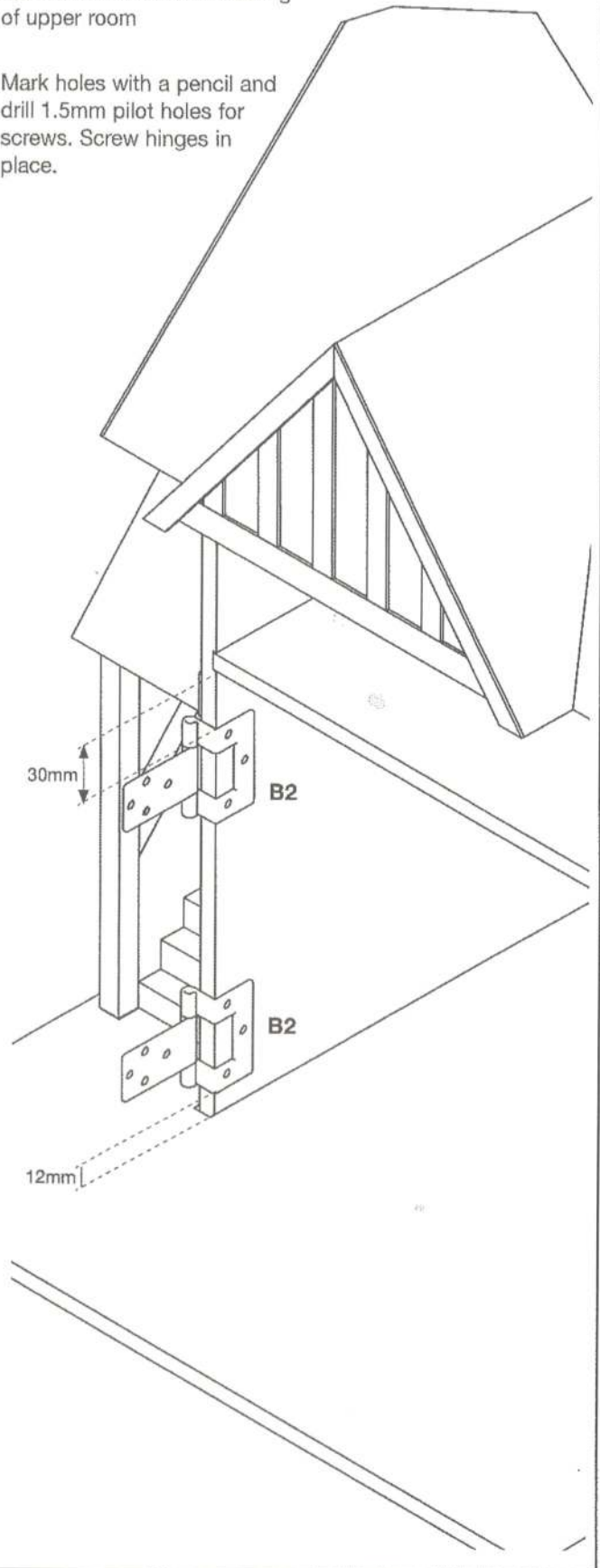
60



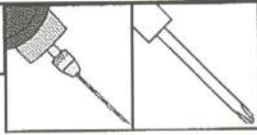
Fit Hinges to carcass.

Place Hinges in position, 12mm above floor of ground floor room and 30mm below ceiling of upper room

Mark holes with a pencil and drill 1.5mm pilot holes for screws. Screw hinges in place.

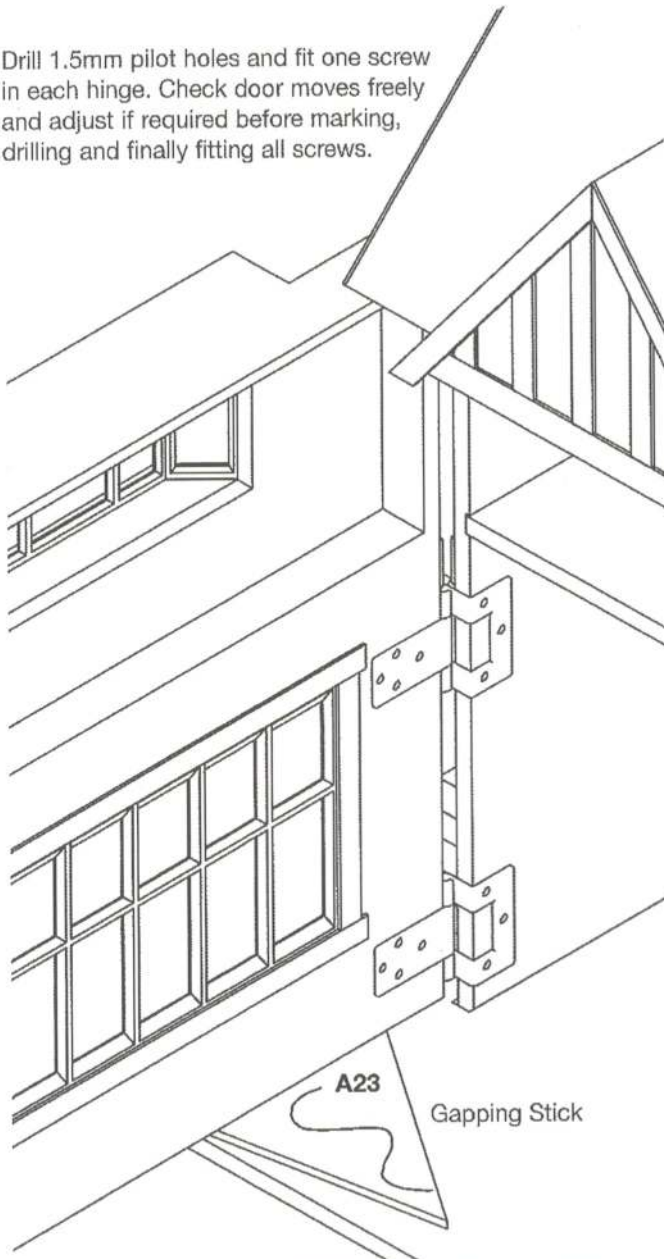


61



Use the gapping Stick to support the Front Panel Assembly. Offer the panel to the carcase and mark one hole through each hinge.

Drill 1.5mm pilot holes and fit one screw in each hinge. Check door moves freely and adjust if required before marking, drilling and finally fitting all screws.



A23

Gapping Stick

FITTING MAGNET

62



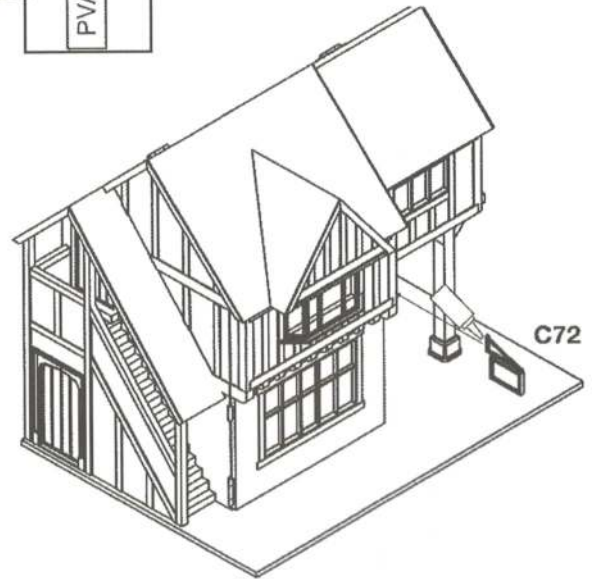
Apply glue to hole in door panel, locate magnet and allow to dry. Put small amount of water, ink or paint on magnet and close door. Open door and fit the striking plate where mark occurs on the carcase.

NB. To fit striking plate, drill 1.5mm pilot hole no deeper than 5mm and apply PVA glue into hole before fitting screw.

63



Apply glue to Projecting Sign C72 and locate as shown.



C72

CONGRATULATIONS! YOU HAVE NOW COMPLETED YOUR STRATFORD BAKERY.



WE HOPE YOU ARE PLEASED WITH THE RESULT.

You've bought the house,
now get the deeds!

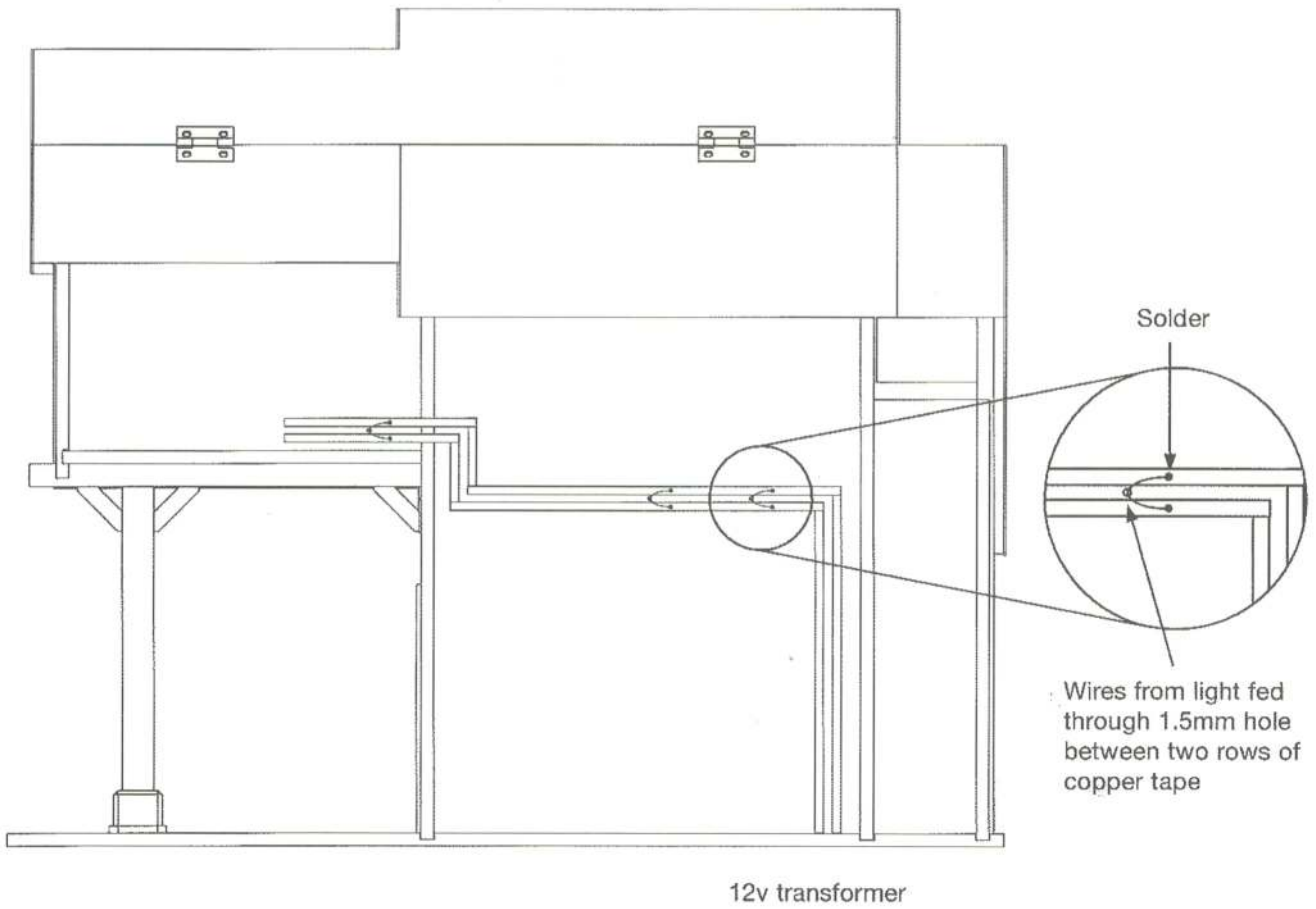
Now you've got your dolls' house, what about getting the paperwork in order to show it really is yours?

Visit www.dollshouse.co.uk/deeds to fill in your details and print out your deeds there and then.

The Dolls House Emporium
The world's leading supplier of dolls' houses and miniatures



COPPER WIRING LAYOUT FOR STRATFORD BAKERY, LOCATED ON BACK

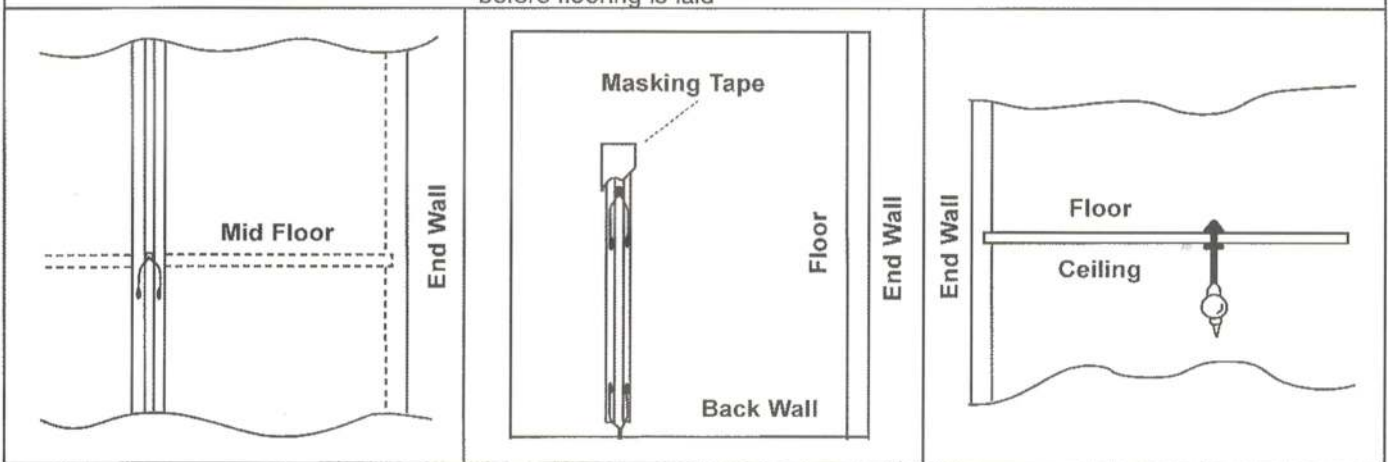


Diagrams to show fitting of a hanging light

1. View From Back

2. "Birds Eye View" of Floor, before flooring is laid

3. View From Front



Complete wiring instructions are given with our Wiring and Lighting Sets



5 035189 178436